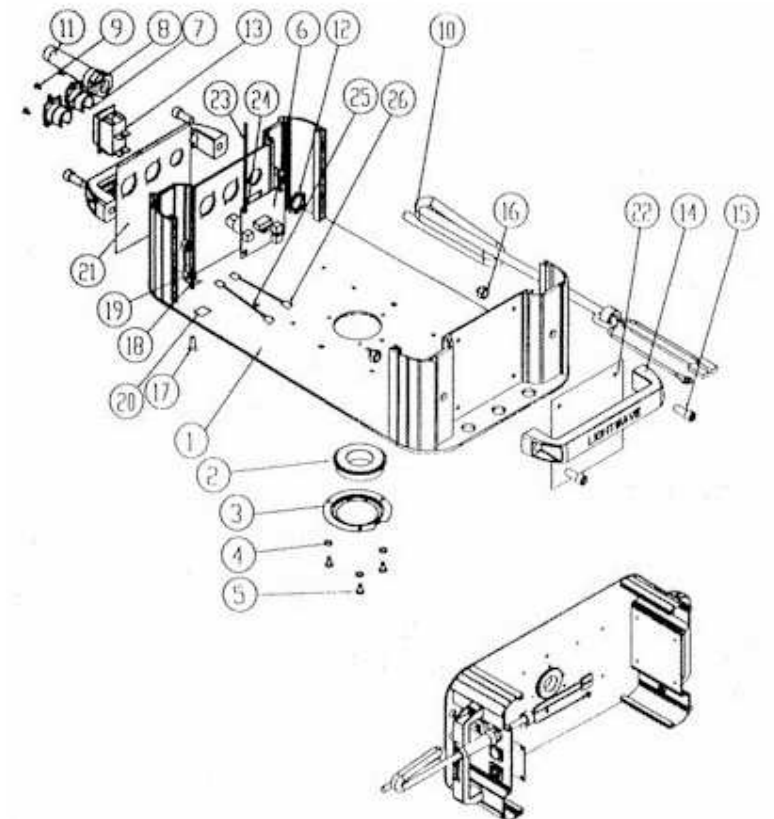


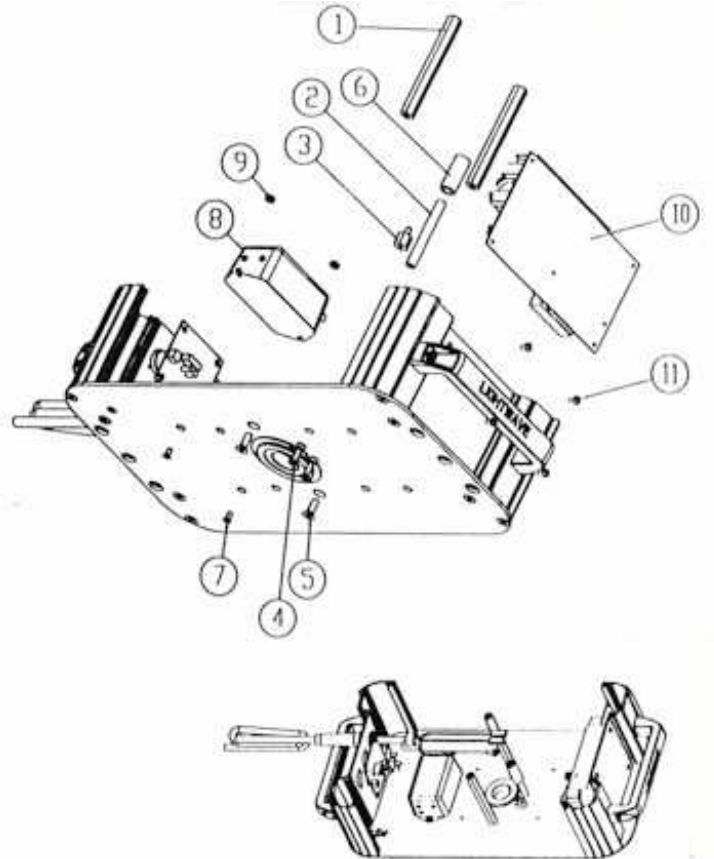
STUDIO SPOT 575

Box Exterior



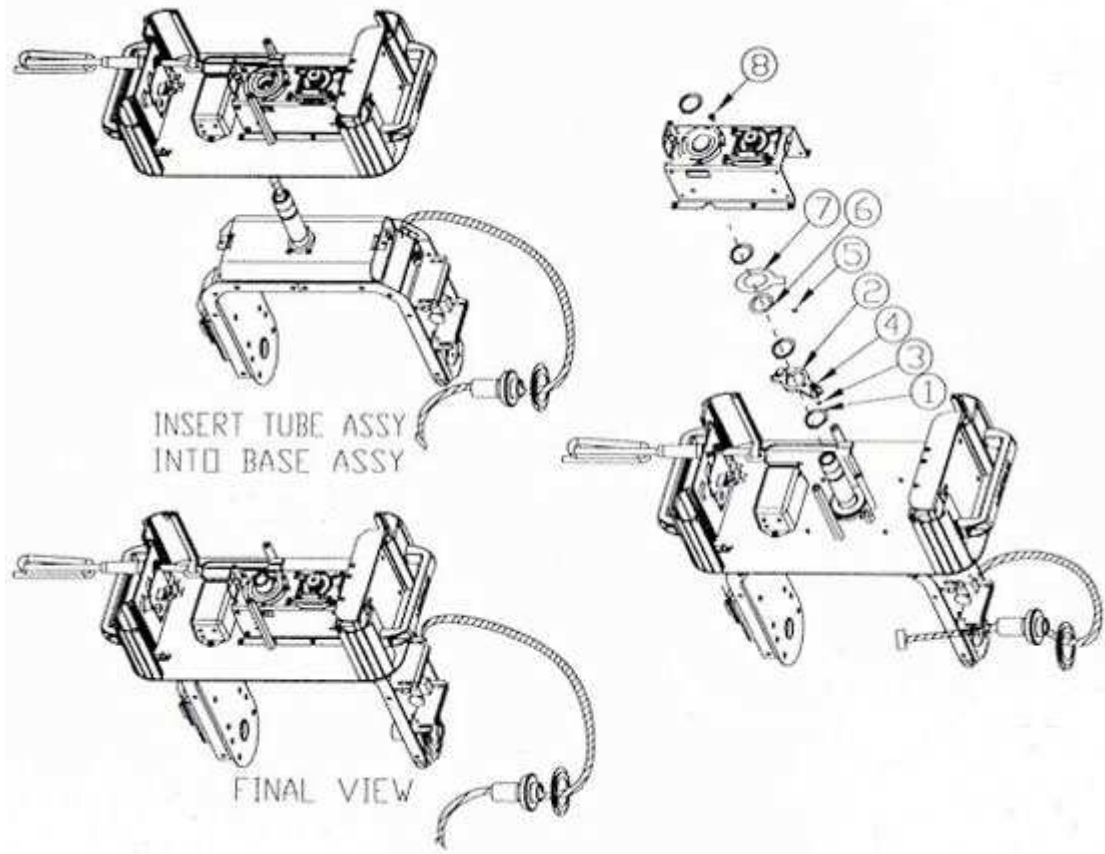
| | | |
|-----|----------|---------------------------------------|
| 1. | 80071218 | Top Box Assy. |
| 2. | 90719007 | Bearing, Tech 6006-2RSNR StC |
| 3. | 99260250 | Cap, Bearing Support |
| 4. | 90709043 | Screw, Phil Pan #8 x 3/8 Type B SS |
| 5. | 90706017 | Washer, Lock #8 Int Tooth |
| 6. | 80010062 | Board, Link Comm |
| 7. | 90404002 | Connector, DHNF Male Housing (XLR) |
| 8. | 90404001 | Connector, DHNF Female Housing (XLR) |
| 9. | 90711010 | Screw, Phil Flat #4 x 1/4 |
| 10. | 80470181 | Cord, AC 16 ga. |
| 11. | 90414008 | Strain Relief, Powergrip |
| 12. | 90703030 | Nut, 1/2 NPT Strain Relief |
| 13. | 90405140 | Breaker, Circuit 16 Amp |
| 14. | 90720006 | Handle, Large W/Logo |
| 15. | 90707057 | Socket Cap 5/16-18 x 3/4 Nickel Alloy |
| 16. | 90703033 | Nut, Lock 5/16-18 Nylon Insert |
| 17. | 90711033 | Screw, Phil Flat 8-32 x 5/8 |
| 18. | 90408010 | Terminal Block, Molex |
| 19. | 90703023 | Nut, Keps 8-32 |
| 20. | 99410036 | Label ETL Side |
| 21. | 99310280 | Label, Side Data In/Out |
| 22. | 99410006 | Label, CE/UL Ground Wire |
| 23. | 80470116 | Cable, Link Comm |
| 24. | 99330007 | Tie Wrap |
| 25. | 80470125 | Wire, Ground Logic PCB |
| 26. | 80470128 | Wire, Ground Lamp Power Supply |

Box Interior A



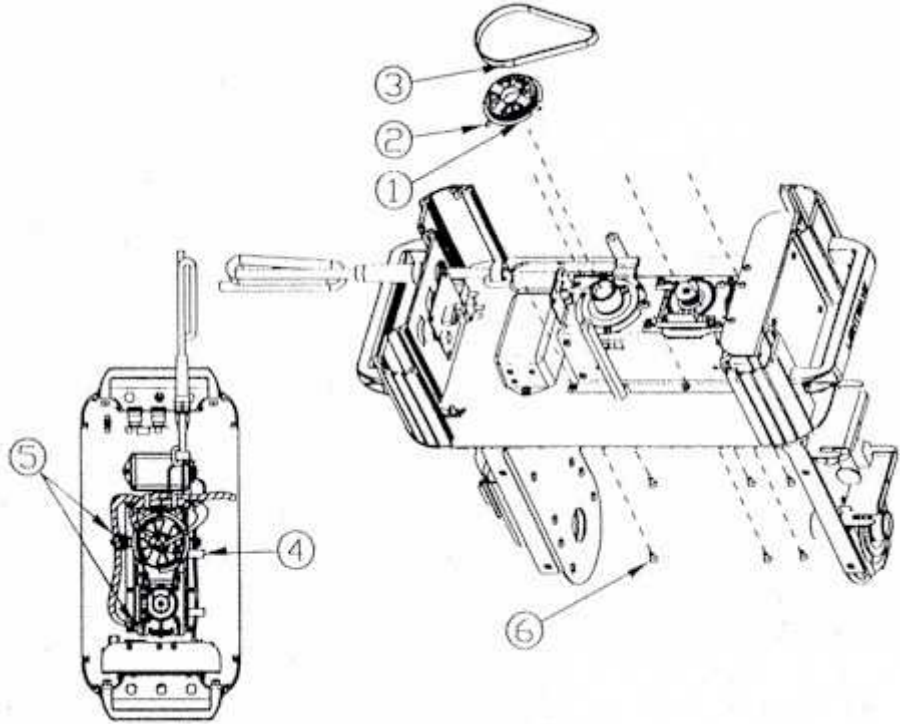
| | | |
|-----|----------|--------------------------------------|
| 1. | 90702066 | Hex Housing Standoff |
| 2. | 90702001 | Standoff 10 - 32 x 3/8 x 3" |
| 3. | 90702110 | Standoff 1/2 Hex M-F 10 - 32 x 1/2 |
| 4. | 90708009 | Screw, Socket Flathead 10 - 32 x 1/2 |
| 5. | 90708013 | Screw, Socket Flathead 1/4 20 x 3/4 |
| 6. | 90717022 | Tubing, 3/8 SAE 30R7 Fuel |
| 7. | 90708005 | Screw, Socket Flathead 8 -32 x 3/8 |
| 8. | 90601028 | Filter, 10 Amp EMI |
| 9. | 90703023 | Nut, Keps 8 -32 |
| 10. | 80050024 | Board, Motor Power Supply |
| 11. | 90709065 | Screw, Phil Pan 8 - 32 x 5/16 |

Box Interior B



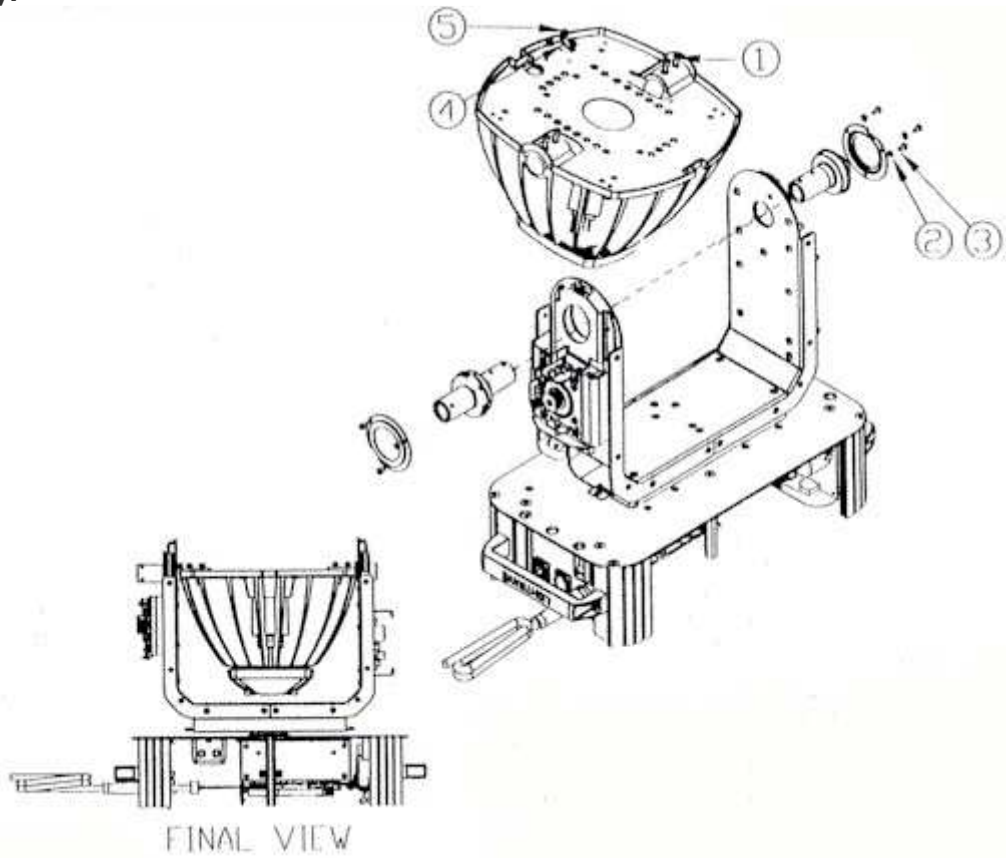
| | | |
|----|----------|------------------------------------|
| 1. | 90701071 | Retainer Ring, Zinc Yellow |
| 2. | 80140028 | Damper, Shaft Tensioner (Pan/Tilt) |
| 3. | 90702135 | Spacer, .188 x 3/16 ID, 1/4 OD |
| 4. | 90703011 | Nut, Lock 10 - 32 Nylon Insert |
| 5. | 90707086 | Socket Cap, 6 -32 x 3/16 |
| 6. | 90706058 | Washer, Spring Stainless |
| 7. | 85000062 | Stop, Pan |
| 8. | 90709020 | Screw, Phil Pan 10 -32 x 3/8 |

Box Interior C



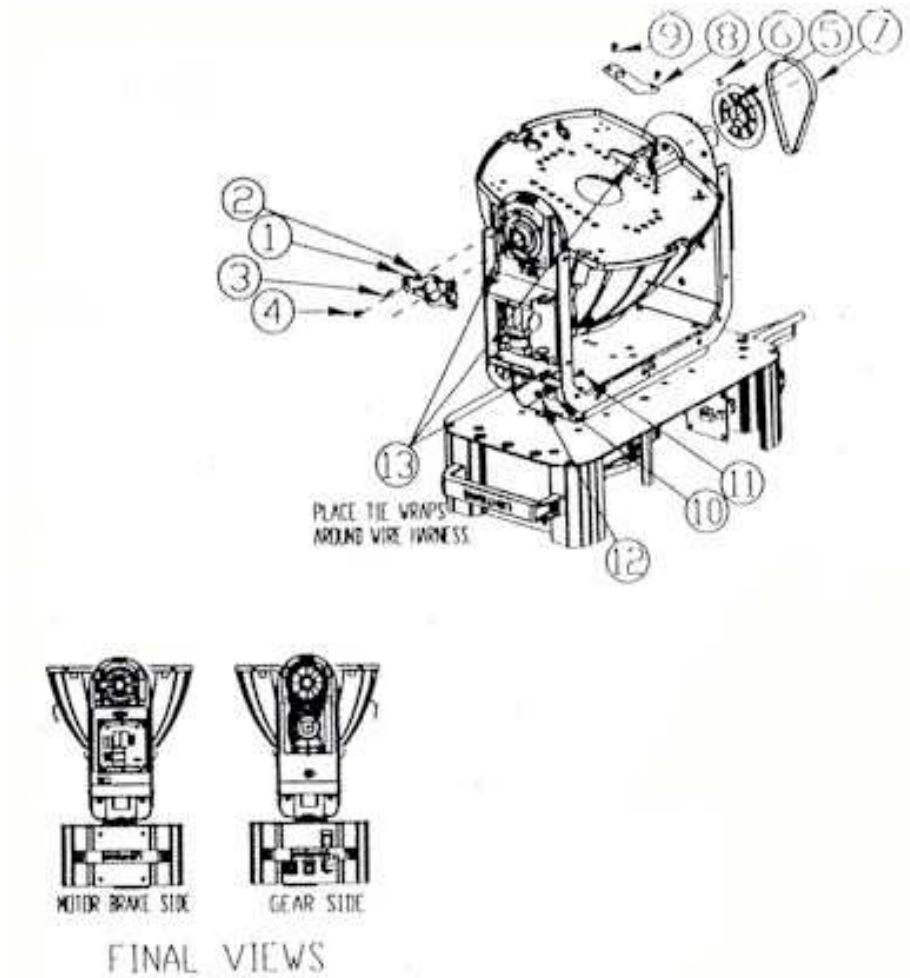
| | | |
|----|----------|-------------------------------------|
| 1. | 99290011 | Gear, Pan/Tilt Molded |
| 2. | 90701083 | Set Screw, Cup Pt. 10 - 32 x 3/8 |
| 3. | 99360013 | Belt 3/8 W 68 Tooth |
| 4. | 90701082 | Clip, Snap |
| 5. | 99330007 | Tie Wrap |
| 6. | 90708005 | Screw, Socket Flathead 8 - 32 x 3/8 |

Tilt Assy.



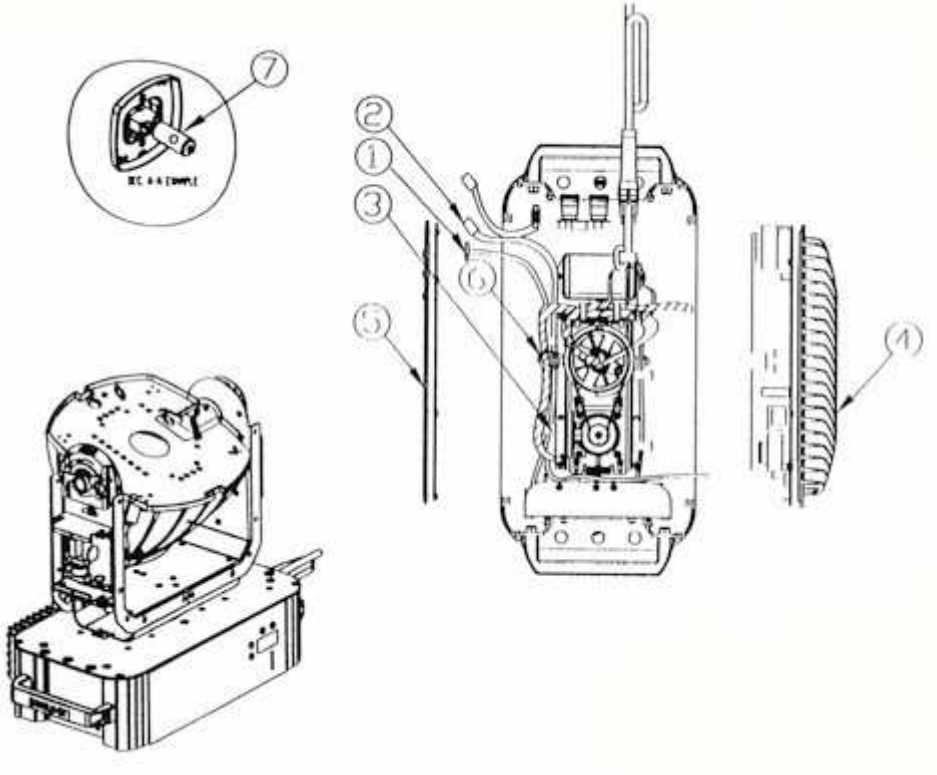
| | | |
|----|----------|------------------------------------|
| 1. | 90707033 | Socket Cap 10 - 32 x 1/2 BZ Patch |
| 2. | 90706017 | Washer, Lock #8 Int Tooth |
| 3. | 90709043 | Screw, Phil Pan #8 x 3/8 |
| 4. | 85000082 | Strain Relief, Aluminum With Wings |
| 5. | 90703005 | Keps Nut, 6 - 32 |

Tilt Assy. B



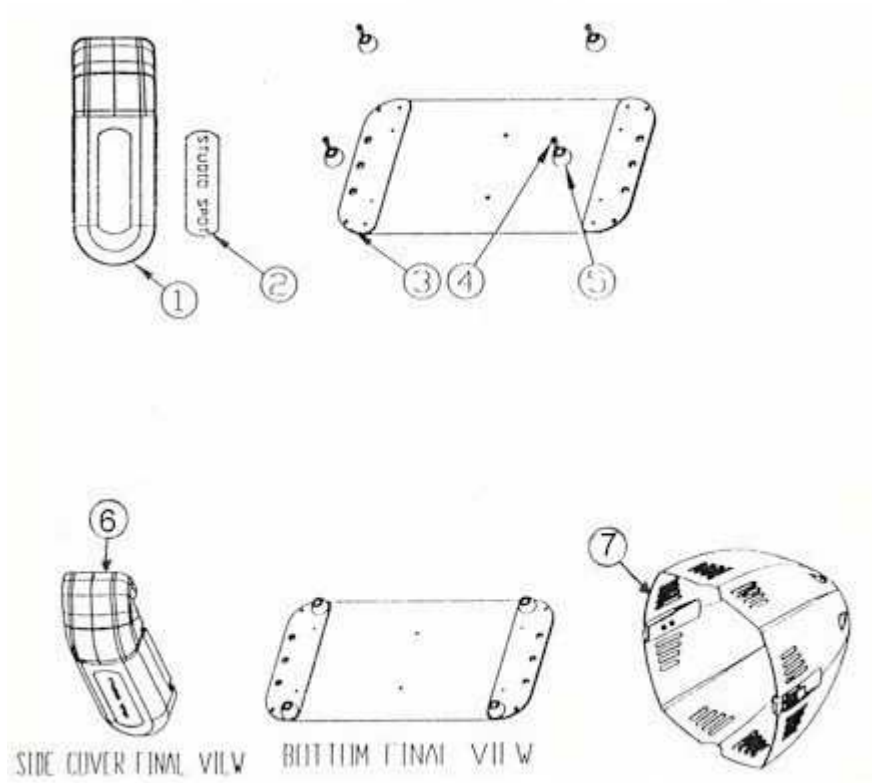
| | | |
|-----|----------|-------------------------------------|
| 1. | 80140028 | Damper, Shaft Tensioner, Pan/Tilt |
| 2. | 90706078 | Washer, #10 x .35OD x .203ID |
| 3. | 90702135 | Spacer, .188 x 3/16ID, 1/4OD |
| 4. | 90709020 | Screw, Phil Pan 10 - 32 x 3/8 |
| 5. | 99290011 | Gear, Molded Pan/ Tilt |
| 6. | 90701083 | Set Screw, 10 - 32 x 3/8 |
| 7. | 99360013 | Belt, 3/8 68 Tooth |
| 8. | 80071278 | Plate, Cable Harness Cover |
| 9. | 90711034 | Screw, Phil Flat #8 x 3/8 |
| 10. | 90701146 | Clamp, Cable Steel/Vinyl |
| 11. | 90709121 | Screw, Phil Truss Head 8 - 32 x 3/8 |
| 12. | 90703023 | Keps Nut 8 - 32 |
| 13. | 99330007 | Tie Wrap |

Circuit Boards



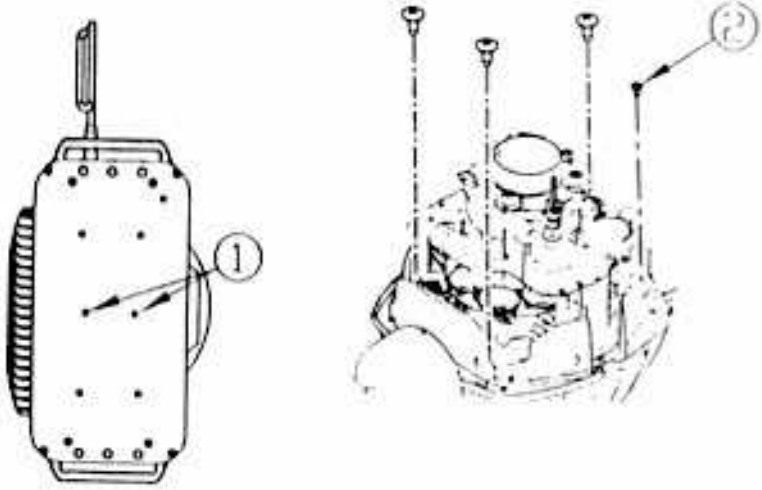
| | | |
|----|----------|-----------------------------|
| 1. | 80470117 | Cable, Lamp-Logic |
| 2. | 80470118 | Cable, 40V Motor Power |
| 3. | 90701082 | Clip, Snap |
| 4. | 80050034 | Lamp Switching Power Supply |
| 5. | 80010124 | Board, Logic |
| 6. | 99330007 | Tie Wrap |
| 7. | 55030052 | Lamp, MSR 575/2 |

Bezel, Box Cover, Yoke Arm Cover



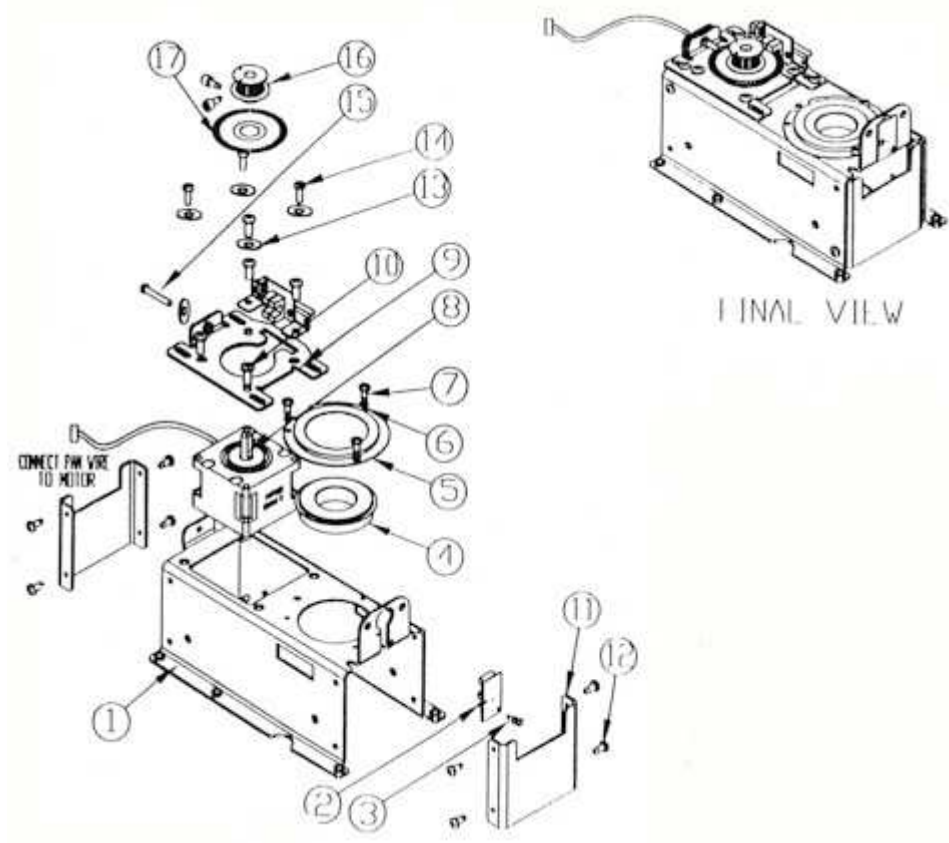
| | | |
|----|----------|---------------------------|
| 1. | 99240017 | Yoke Arm Cover |
| 2. | 99310312 | Label, Yoke Arm 575 |
| 3. | 80070366 | Cover With Support |
| 4. | 90709062 | Screw, Phil Pan #10 x 1/2 |
| 5. | 90410089 | Foot, Rubber |
| 6. | 99240021 | Yoke Arm Cover Assy. |
| 7. | 80450056 | Bezel Assy. |

Optical Module, Box Cover



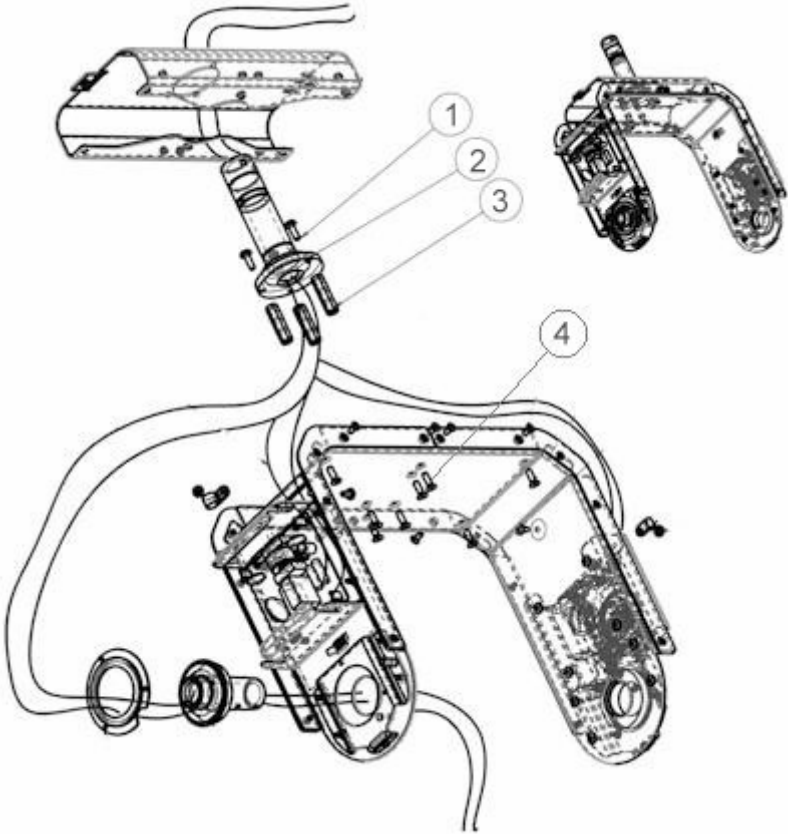
| | | |
|----|----------|------------------------------------------------|
| 1. | 90710009 | Socket Button Head 1/4 - 20 x 3/4 |
| 2. | 90709136 | Screw, Phil Pan 8 - 32 x 5/16 With Star Washer |

Pan Assy.



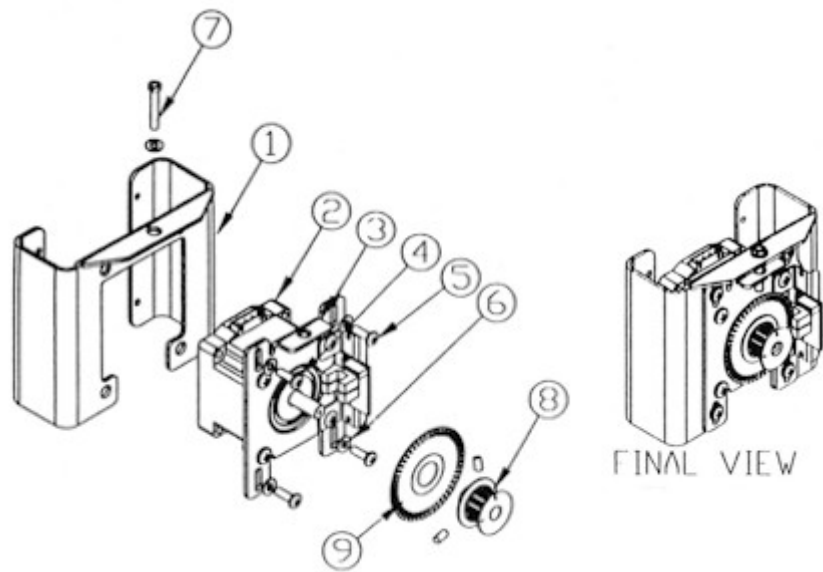
| | | |
|-----|-----------|-------------------------------------|
| 1. | 99260262 | Bracket, Pan Bearing |
| 2. | 80040017T | Board, Sensor Pan/Tilt |
| 3. | 90709030 | Screw, Phil Pan #4 x 1/4 |
| 4. | 90719068 | Bearing |
| 5. | 99260250 | Cap, Bearing Support |
| 6. | 90706017 | Lock Washer, #8 Int Tooth |
| 7. | 90709043 | Screw, Phil Pan #8 x 3/8 |
| 8. | 99270028 | Motor |
| 9. | 85000184 | Plate, Pan/Tilt Motor |
| 10. | 90709124 | Screw, Phil Pan 10 - 14 x 3/8 |
| 11. | 99080065 | Plate, Support Pan Motor Bracket |
| 12. | 90709024 | Screw, Phil Pan #8 x 1/4 |
| 13. | 90709090 | Screw, Phil Pan 8 - 32 x 1/2 |
| 14. | 90706012 | Washer, Flat #10 |
| 15. | 90704023 | Bolt, Hex 8 - 32 x 5/8 |
| 16. | 80150010 | Gear with Encoder (included screws) |
| 17. | 99180029 | Encoder wheel |

Pan Tube- New Style (Standoffs)



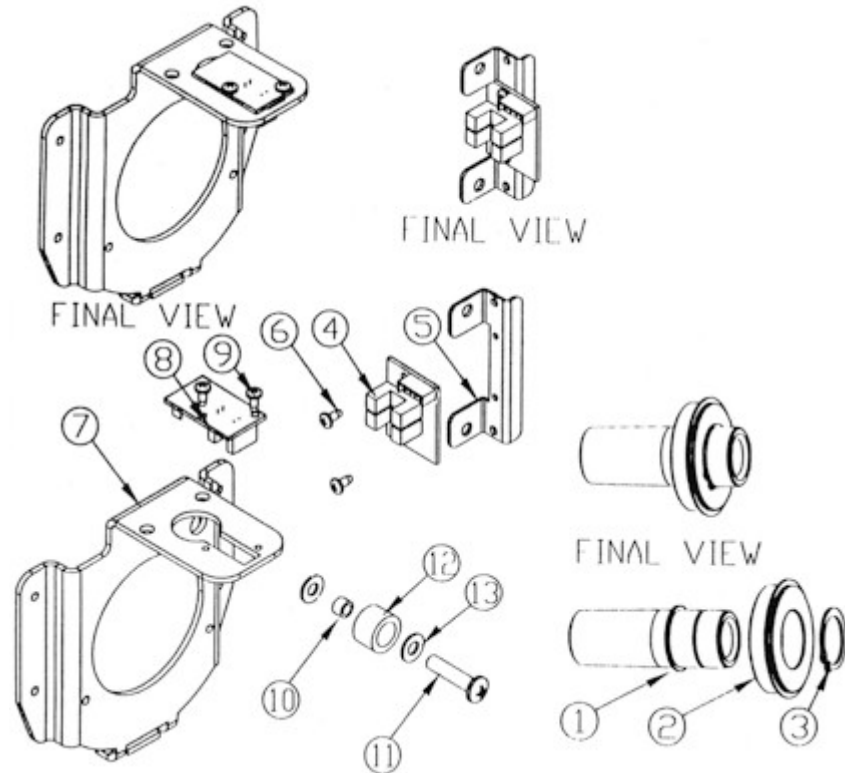
| | | |
|----|----------|----------------------------------------|
| 1. | 90710014 | Screw, Socket Button Head 10 -32 x 3/4 |
| 2. | 99140016 | Pan Tube |
| 3. | 90702143 | Standoff, Hex 10 - 32 x 1.5 |
| 4. | 90708009 | Screw, Socket Flat Head 10 -32 x 1/2 |

Tilt Motor Assy



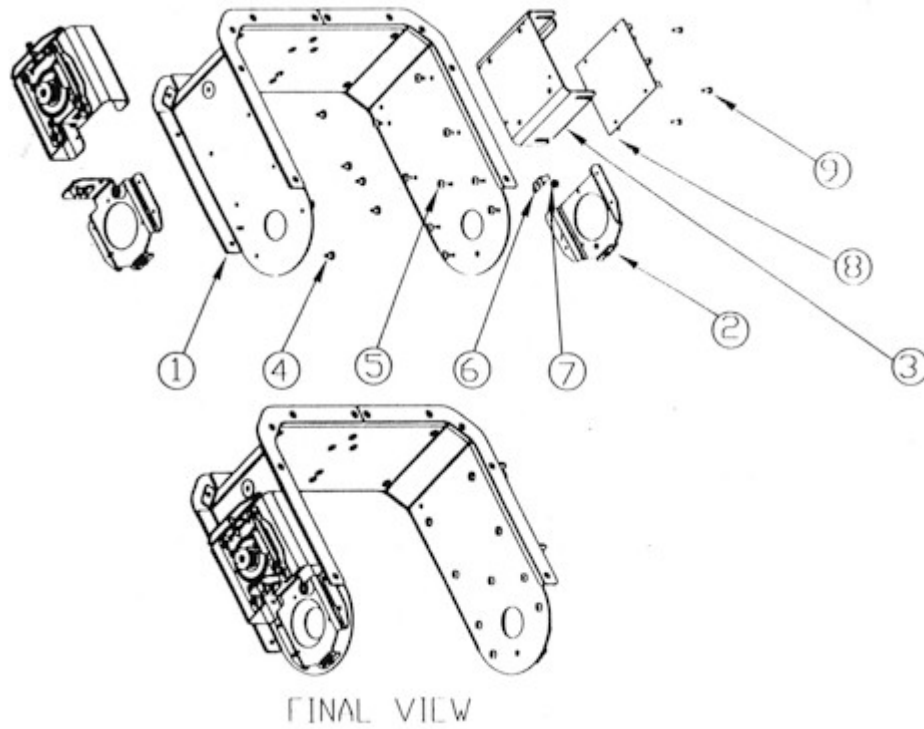
| | | |
|----|----------|--------------------------------|
| 1. | 99260263 | Bracket, Tilt Motor |
| 2. | 99270028 | Motor |
| 3. | 85000184 | Plate, Pan/Tilt Motor |
| 4. | 90709124 | Screw, Phil Pan 10 - 14 x 3/8 |
| 5. | 90709090 | Screw, Phil Pan 8 - 32 x 1/2 |
| 6. | 90706012 | Washer, Flat #10 |
| 7. | 90704035 | Bolt, Hex 8 - 32 x 1 |
| 8. | 99430017 | Pinion Gear |
| 9. | 99180029 | Encoder Wheel |
| | 90707091 | Pinion Gear Set Screw |
| | 80150010 | Pinion Gear & Encoder Assembly |

Tilt Bearing Assy. & Tilt Sensor



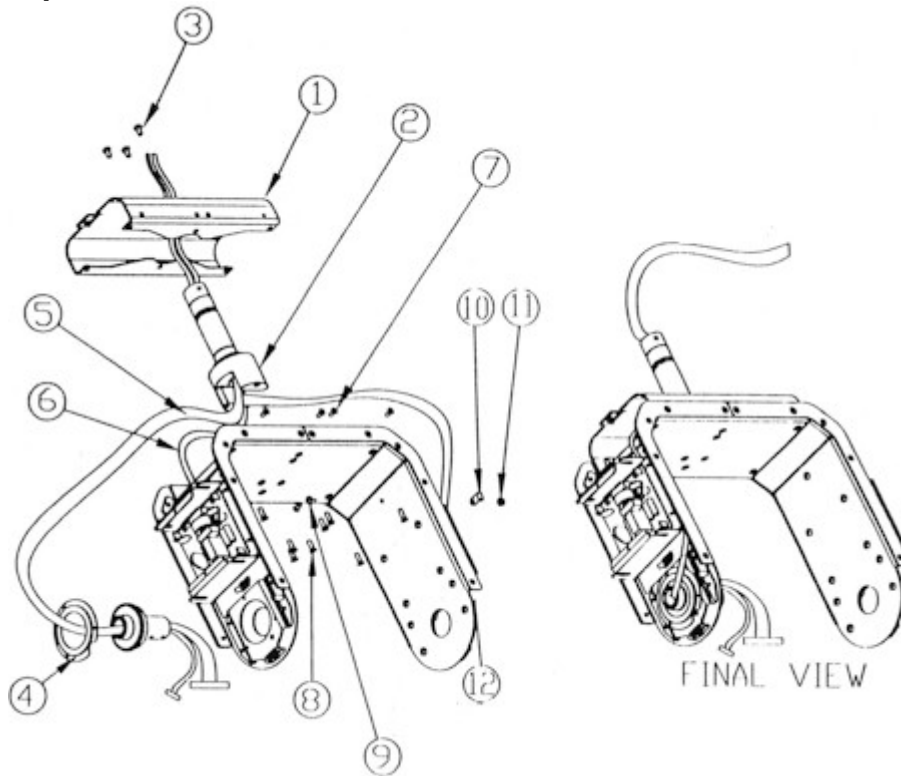
| | | |
|-----|-----------|--------------------------------|
| 1. | 99140011 | Tube, Tilt Short With Shoulder |
| 2. | 90719068 | Bearing |
| 3. | 90701071 | Retainer Ring, Zinc |
| 4. | 80010085 | Board, Dual Sensor |
| 5. | 99260261 | Bracket, Encoder Sensor Board |
| 6. | 90709030 | Screw, Phil Pan #4 x 1/4 |
| 7. | 99260159 | Bracket, Tilt Bearing Right |
| 8. | 80040017T | Board, Sensor Pan/Tilt |
| 9. | 90709030 | Screw, Phil Pan #4 x 1/4 |
| 10. | 90702070 | Standoff, Pan/Tilt Stop |
| 11. | 90709103 | Screw, Phil Pan 10 - 32 x 7/8 |
| 12. | 90717022 | Tubing, 3/8" Fuel |
| 13. | 90706056 | Washer, Flat #10 |

Yoke Tilt Assy.



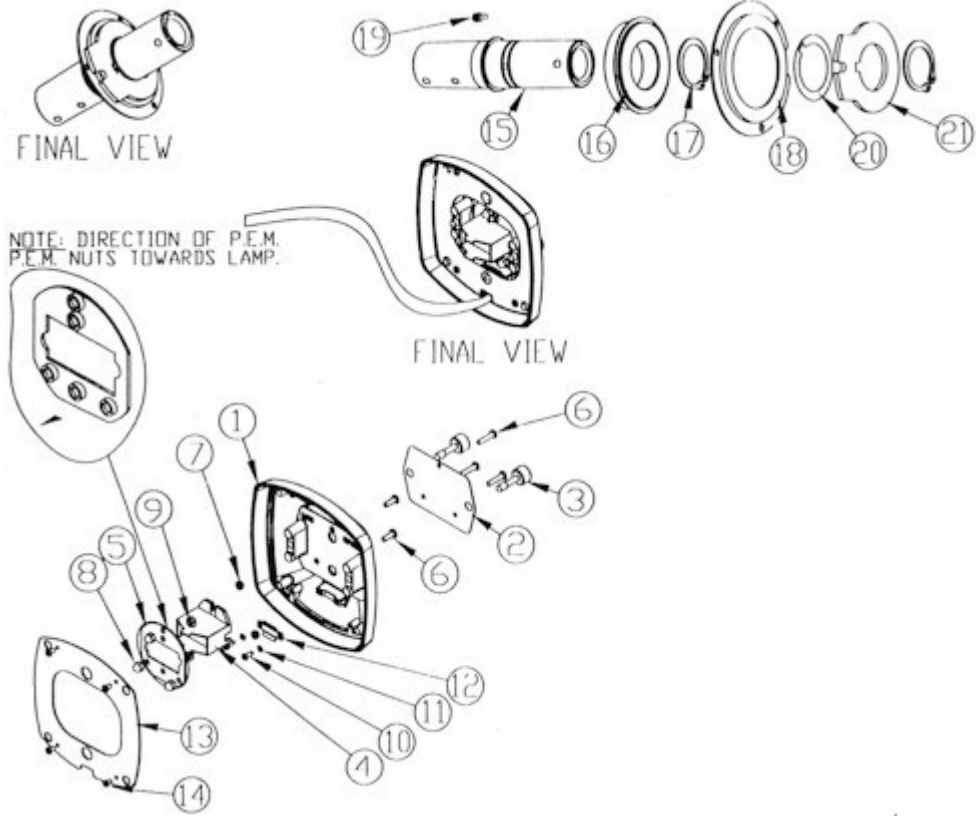
| | | |
|----|-----------|--------------------------------|
| 1. | 80071276 | Yoke Assy. |
| 2. | 99260158 | Bracket, Tilt Bearing Left |
| 3. | 99260173 | Bracket, Ignitor Board |
| 4. | 90709036 | Screw, Phil Truss #8 x 3/8 |
| 5. | 90709121 | Screw, Phil Truss 8 - 32 x 3/8 |
| 6. | 90408010 | Terminal Block, Molex |
| 7. | 90703023 | Keps Nut 8 - 32 |
| 8. | 80060002T | Board, Ignitor 575 |
| 9. | 90709039 | Screw, Phil Pan 6 - 32 x 7/16 |

Yoke Pan Assy.



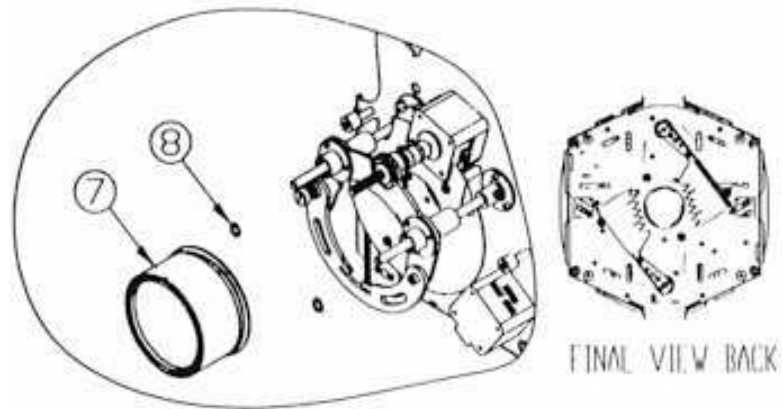
| | | |
|-----|----------|--------------------------------------|
| 1. | 80071239 | Bracket, Top Yoke |
| 2. | 99260259 | Shaft, Pan Tube |
| 3. | 90709020 | Screw, Phil Pan 10 - 32 x 3/8 |
| 4. | 99260250 | Cap, Bearing Support |
| 5. | 80470161 | Wire Harness, Main Electrical Board |
| 6. | 80470150 | Wire Harness, Ignitor |
| 7. | 90708005 | Screw, Socket Flathead 8 - 32 x 3/8 |
| 8. | 90708009 | Screw, Socket Flathead 10 - 32 x 1/2 |
| 9. | 90709121 | Screw, Phil Truss Head 8 - 32 x 3/8 |
| 10. | 90410023 | Cable Clamp, 3/16" Nylon |
| 11. | 90703023 | Nut, Keps 8 - 32 |
| 12. | 99330007 | Tie Wrap |

Lamp Cap, Tilt Bearing Assy.

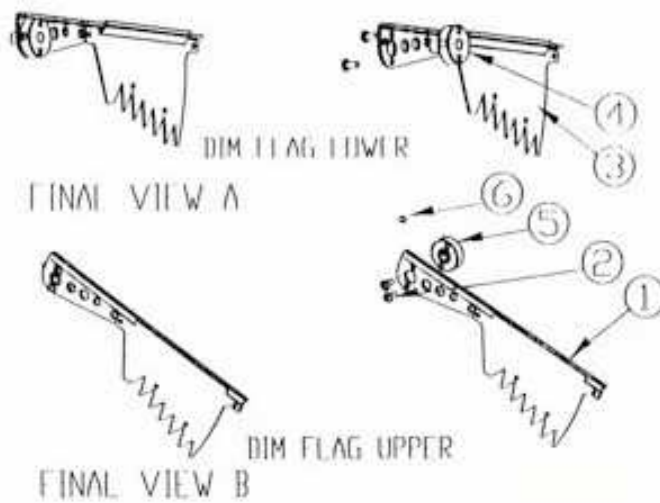


| | | |
|-----|----------|--------------------------------------|
| 1. | 90411023 | Cap, Heatsink Studio Spot |
| 2. | 99310292 | Label, Lamp Cap |
| 3. | 90705024 | Thumbscrew, 1/4 Hex With Countersink |
| 4. | 80470149 | Wire Harness, Lamp Socket |
| 5. | 99080078 | Plate, Lamp Adjust |
| 6. | 90709090 | Screw, Phil Pan 8 - 32 x 1/2 |
| 7. | 90701002 | Spring, #88 |
| 8. | 90703055 | Nut, Cap 8 - 32 |
| 9. | 90703023 | Nut, Keps 8 - 32 |
| 10. | 90709016 | Screw, Phil Pan #6 x 3/8 |
| 11. | 90706012 | Washer, Flat #10 |
| 12. | 85000082 | Strain Relief, Aluminum With Wings |
| 13. | 99220013 | Plate, End Cap |
| 14. | 90709063 | Screw, Phil Pan 8 - 32 x 3/4 |
| 15. | 99140010 | Tube, Tilt Long With Shoulder |
| 16. | 90719068 | Bearing |
| 17. | 90701071 | Retaining Ring, Zinc |
| 18. | 99260250 | Cap, Bearing Support |
| 19. | 90707045 | Socket Cap 6 - 32 x 1/4 |
| 20. | 90706058 | Washer, Spring Stainless |
| 21. | 85000137 | Tilt Stop |

Spot: Dim Flags

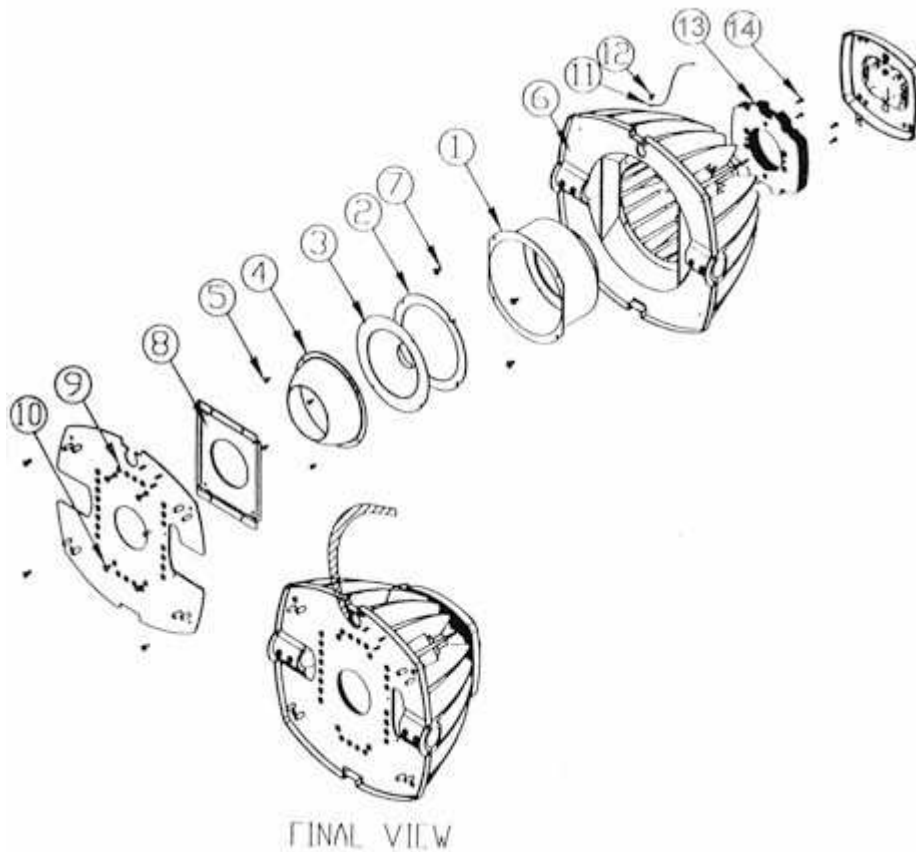


TOP VIEW SHOWN ONLY FOR ASSY OF LENS.



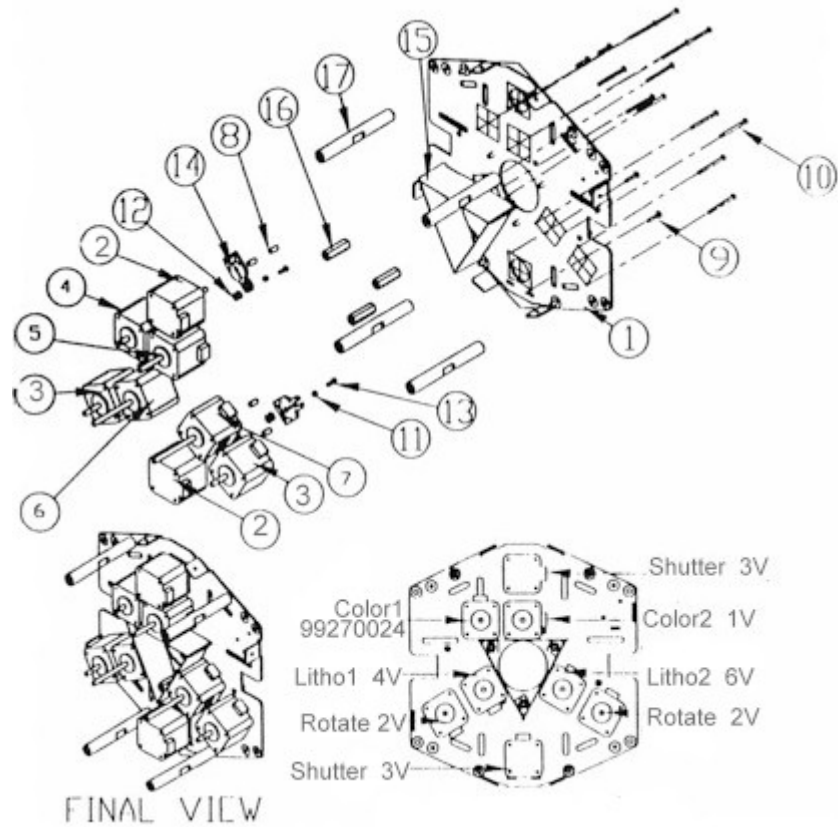
| | | |
|----|----------|--------------------------------------|
| 1. | 80560018 | Flag, Dim/Strobe Upper Assy. |
| 2. | 90709118 | Screw, Phil Pan4 - 40 x 5/16 |
| 3. | 80560017 | Flag, Dim/Strobe Lower Assy. |
| 4. | 99400035 | Hub, Dim/Strobe Flag |
| 5. | 99400035 | Hub, Dim/Strobe Flag |
| 6. | 90707091 | Socket Set Screw 8 - 32 x 1/4 |
| 7. | 39060002 | Lens Assy, 18 Degree |
| 8. | 90701139 | Clip, Retaining Ring 1/4" Grooveless |

Spot: Reflector & Heatsink Assy.



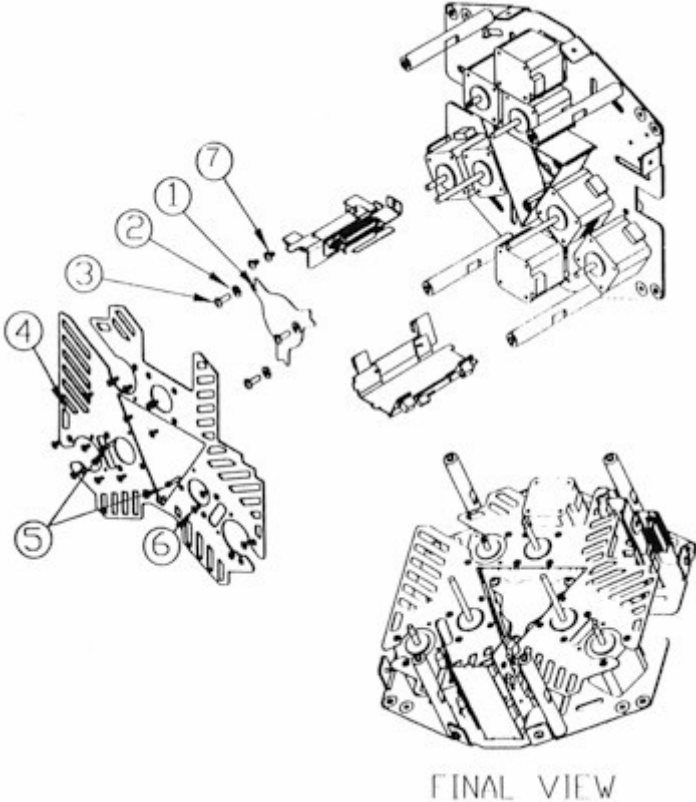
| | | |
|-----|----------|-------------------------------------|
| 1. | 80071291 | Housing, Reflector Can |
| 2. | 90702119 | Spacer, Reflector |
| 3. | 99130016 | Reflector, Rear |
| 4. | 99130013 | Reflector, Front |
| 5. | 90709113 | Screw, Phil Low Truss 4 - 20 x 5/16 |
| 6. | 80071217 | Heatsink, Reflector |
| 7. | 90709016 | Screw, Phil Pan #6 x 3/8 |
| 8. | 80580024 | Heat Filter |
| 9. | 80071398 | Plate, Hot |
| 10. | 90711034 | Screw, Phil Flat #8 x 3/8 |
| 11. | 90409024 | Safety Cable With Clip |
| 12. | 90701003 | Rivet, #52 |
| 13. | 80071272 | Counterweight, Heatsink Assy. |
| 14. | 90709079 | Screw, Phil Pan 6 - 32 x 3/8 |

Spot: Optical Module Base



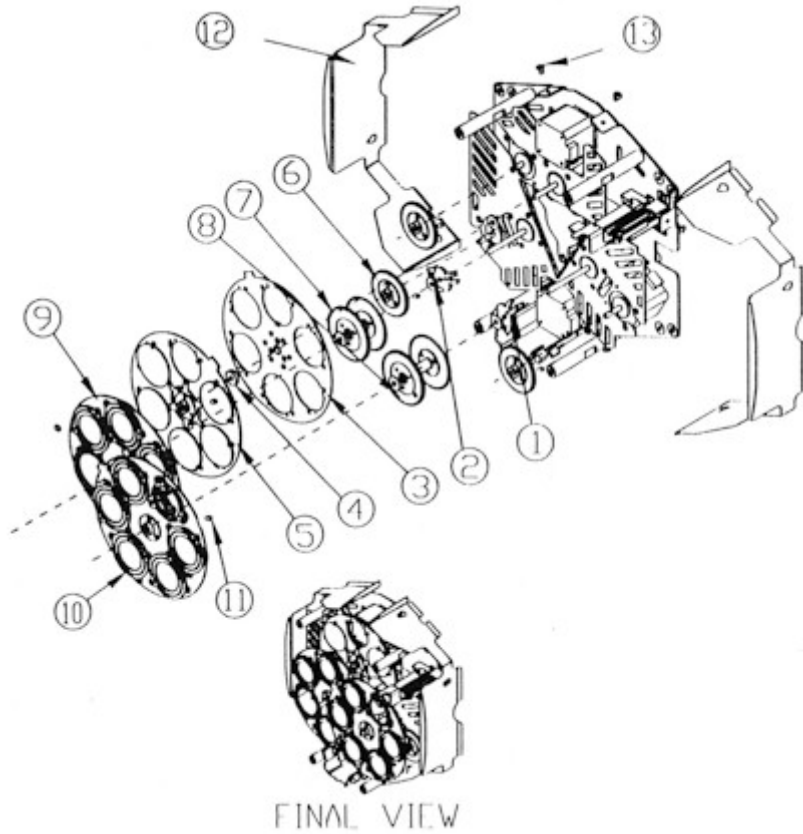
| | | |
|-----|----------|---------------------------------|
| 1. | 99080081 | Plate, Motor Optical Module |
| 2. | 99270071 | Motor, 3V |
| 3. | 99270070 | Motor, 2V |
| 4. | 80140024 | Motor, Cut Shaft |
| 5. | 99270072 | Motor, 1V |
| 6. | 99270073 | Motor, 4V |
| 7. | 99270074 | Motor, 6V |
| 8. | 90702118 | Spacer 5/16 Round #4 x 3/8 |
| 9. | 90709039 | Screw, Phil Pan 6 - 32 x 7/16 |
| 10. | 90711030 | Screw, Phil Flat 4 - 40 x 1 3/8 |
| 11. | 90702122 | Standoff, Motor Damper |
| 12. | 90706032 | Washer, #4 Flat |
| 13. | 90707035 | Socket Cap, 4 - 40 x 3/8 |
| 14. | 80140026 | Damper, Motor Brake Assy. |
| 15. | 99130015 | Reflector, Heat/Light |
| 16. | 90702102 | Standoff, Diffusion Lens Mount |
| 17. | 90702100 | Standoff, Optical Module |

Spot: Optical Module Mid



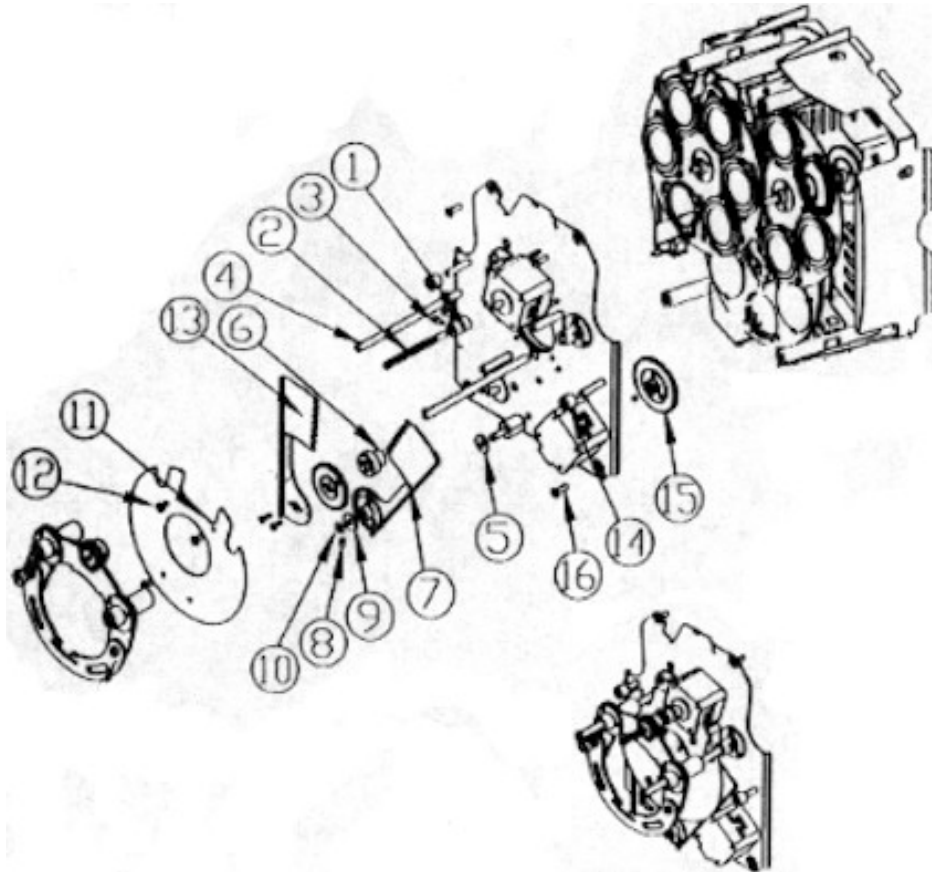
| | | |
|----|----------|--------------------------------|
| 1. | 80530035 | Diffusion Glass |
| 2. | 90706009 | Washer, #8 Flat |
| 3. | 90709025 | Screw, Phil Pan 8 - 32 x 3/8 |
| 4. | 90411047 | Heatsink, Motor Optical Module |
| 5. | 90707036 | Socket Cap, 4 - 40 x 1/4 |
| 6. | 90711003 | Screw, Phil Flat 4 - 40 x 1/4 |
| 7. | 90709024 | Screw, Phil Pan #8 x 1/4 |

Spot: Optical Module Wheels



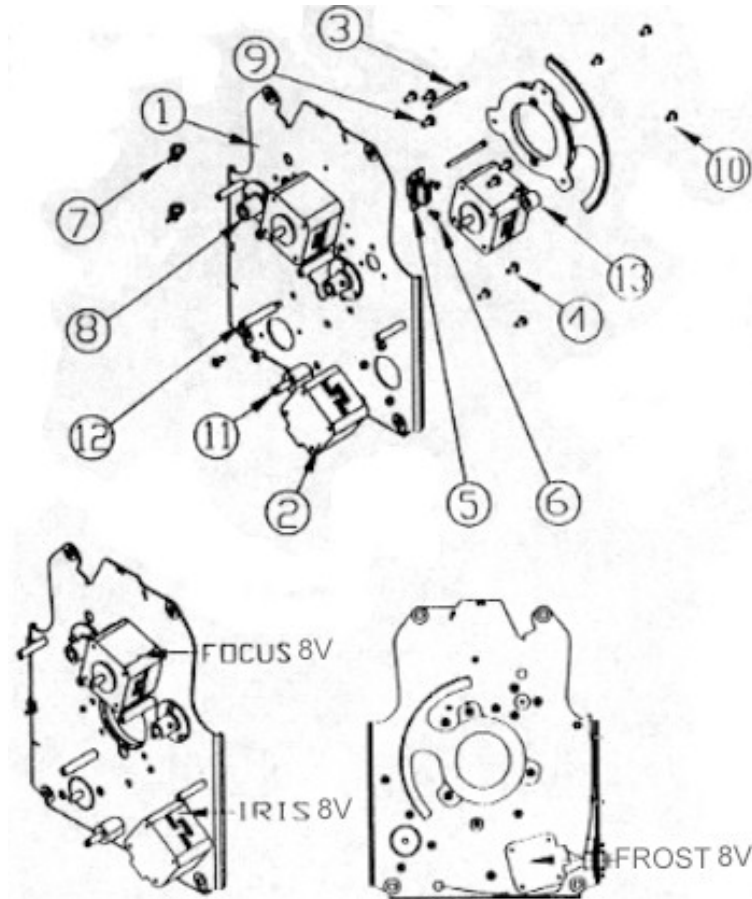
| | | |
|-----|----------|--------------------------------|
| 1. | 80140026 | Damper, Motor Brake Assy. |
| 2. | 90706083 | Washer, Thrust .050 |
| 3. | 80190041 | Wheel, Color Assy. Lower |
| 4. | 90706086 | Washer, Thrust .140 |
| 5. | 80190040 | Wheel, Color Assy. Upper |
| 6. | 99430018 | Gear, 45 Tooth With Hub |
| 7. | 99430019 | Gear, Drive Assy. Litho Lower |
| 8. | 99430020 | Gear, Drive Assy. Litho Upper |
| 9. | 80190038 | Wheel, Litho Assy. Lower |
| 10. | 80190039 | Wheel, Litho Assy. Upper |
| 11. | 90707090 | Set Screw, Socket 8 - 32 x 1/8 |
| 12. | 80071243 | Light Block, Optical Module |
| 13. | 90709024 | Screw, Phil Pan #8 x 1/4 |

Spot: Optical Module Front



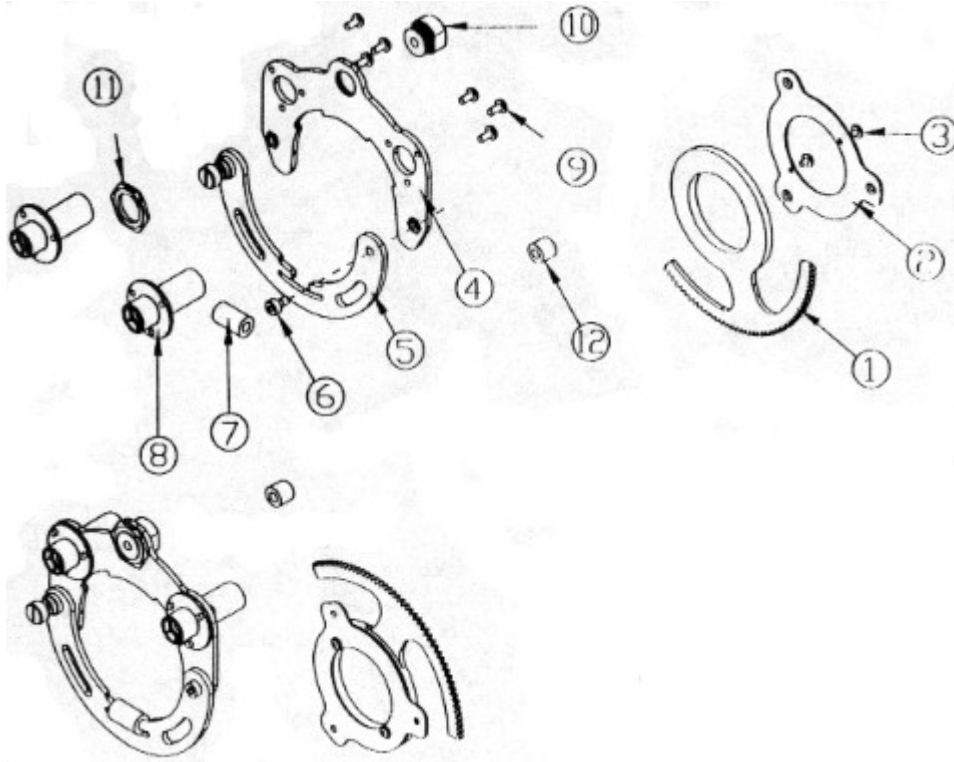
| | | |
|-----|----------|----------------------------------------------------------|
| 1. | 90701149 | Coupler, Slim Line .88 |
| 2. | 90721006 | Screw, Focus Drive .280 Shank |
| 3. | 90707045 | Socket Cap 6 - 32 x 1/4 |
| 4. | 80071233 | Shaft, Linear Slide |
| 5. | 90702113 | Spacer, Frost Flat .060 |
| 6. | 99400024 | Hub, Frost Flag Standoff |
| 7. | 80560014 | Frost Flag Left Assy. |
| 8. | 90707090 | Set Screw, Socket 8 - 32 x 1/8 |
| 9. | 90706083 | Washer, Thrust .050 |
| 10. | 90701105 | Clip, Retaining Ring E-Style |
| 11. | 80071260 | Plate, Aperture Light Block |
| 12. | 90709135 | Screw, Phil Pan With Star washer 6 - 32 x 5/16 |
| 13. | 80560016 | Frost Flag Assy. Right, Flush Gear Mount (gear 99430022) |
| 14. | 90717024 | Tubing, Red Silicone 3/16" ID |
| 15. | 99430041 | Gear, 45 Tooth With Hub (Iris) |
| 16. | 90709136 | Screw, Phil Pan With Star Washer 8 - 32 x 5/16 |

Spot: Iris Assy.



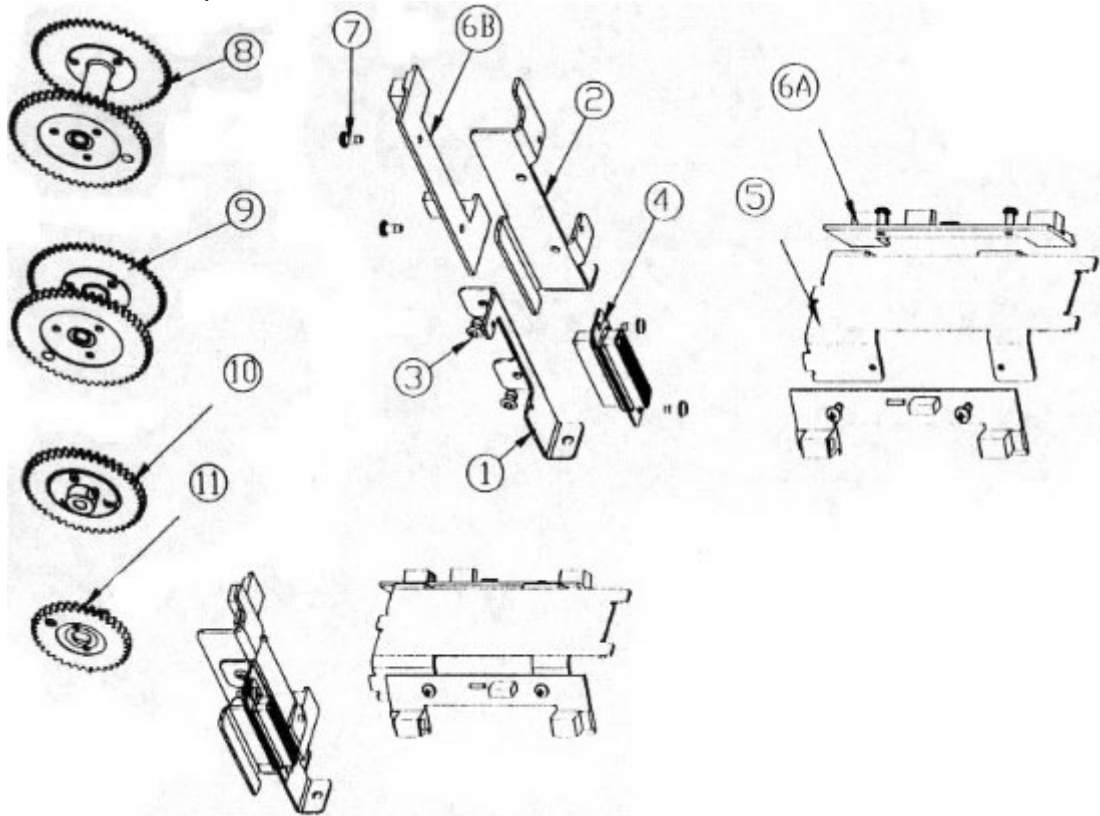
| | | |
|-----|----------|------------------------------------------------|
| 1. | 80071390 | Plate, Lens/ Frost Assy. |
| 2. | 99270026 | Motor, 8V |
| 3. | 90707052 | Socket Cap, 4 - 40 x 1 3/8 |
| 4. | 90709118 | Screw, Phil Pan 4 - 40 x 5/16 |
| 5. | 80470163 | Wire Harness, Upper Motors |
| 6. | 90709030 | Screw, Phil Pan #4 x 1/4 |
| 7. | 99330007 | Tie Wrap |
| 8. | 80071259 | Collar, Mount Linear Slide |
| 9. | 90709135 | Screw, Phil Pan With Star Washer 6 - 32 x 5/16 |
| 10. | 90709012 | Screw, Phil Pan 6 - 32 x 1/4 |
| 11. | 99260147 | Shaft, Frost Flag Mount |
| 12. | 90702114 | Standoff, 6 - 32 x 1.25 x 1/4 Round |
| 13. | 90717024 | Tubing, Red Silicone |

Spot: Focus Mount



| | | |
|-----|----------|------------------------------------------------|
| 1. | 99290018 | Iris |
| 2. | 80071250 | Plate, Iris Mount |
| 3. | 90709139 | Screw, Phil Pan With Washer 4 - 40 x 3/16 |
| 4. | 80071252 | Plate, Lens Tube Mount |
| 5. | 99260224 | Plate, Compression Lens Tube |
| 6. | 90710013 | Screw, Hex Shoulder 8 - 32 |
| 7. | 90717033 | 7/16 X 3/16 50 Dur BLK SILICONE |
| 8. | 80450053 | Mount, Linear Bearing Assy. |
| 9. | 90709135 | Screw, Phil Pan With Star Washer 6 - 32 x 5/16 |
| 10. | 90703052 | Nut, Lead Screw |
| 11. | 90703053 | Nut, Brass 5/8 - 24 x 3/32 |
| 12. | 90717024 | Tubing, Red Silicone 3/16 ID |

Spot: Rotate Gears, Sensor Brackets



| | | |
|-----|----------|---------------------------------|
| 1. | 80071241 | Bracket, Sensor Color Wheel |
| 2. | 80071249 | Bracket, 44 Pin Connector Mount |
| 3. | 90701091 | Rivet, 1/8" |
| 4. | 80470162 | Wire Harness, Lower Motors |
| 5. | 99260164 | Bracket, Sensor Litho Wheel |
| 6. | 80010080 | Board, Honeywell Sensor |
| 7. | 90709030 | Screw, Phil Pan #4 x 1/4 |
| 8. | 99430020 | Gear, Drive Assy. Litho Upper |
| 9. | 99430019 | Gear, Drive Assy. Litho Lower |
| 10. | 99430041 | Gear, 45 Tooth With Hub |
| 11. | 99430022 | Gear, Overmolded 36 Tooth |